

## SPA CHAIR MEASUREMENT

\* All Spa chairs have the same Armrest to Armrest dimension of 32 1/4" (81,5cm)  
and Armrest with Manicure Tray to Manicure tray dimension of 46 1/2" (117,5cm)

Spa Model	Size	Weight
<b>Infinity</b>	Spa: L = 56 3/4" ( 143.5 cm ) x W = 25 1/2" ( 64,5 cm ) Height: 57 3/4" ( 146 cm ) Fully reclined: 72 3/4" ( 184,5 cm )	200 lbs
<b>Luminous</b>	Spa: L = 56" ( 142 cm ) x 26 1/4" ( 66,5 cm ) Height: 58 1/2" (148 cm ) Fully reclined: 71" ( 180 cm )	200 lbs
<b>Liberté</b>	Spa: L = 56 1/2" ( 143 cm ) x 24" ( 61 cm ) Height: 56 3/4" ( 143,5 cm ) Fully reclined: 73 1/2" ( 186,5 cm )	200 lbs
<b>Ultima</b>	Spa: L = 55" (139 cm ) x 26" ( 66 cm ) Height: 54 1/2" ( 138 cm ) Fully reclined: 71" ( 180 cm )	200 lbs
<b>Q-spa</b>	Spa: L = 56 1/2" ( 143 cm ) x 25" ( 63 cm ) Height: 54" ( 136 cm ) Fully reclined: 74 1/2" (189 cm )	200 lbs
<b>Versas</b>	Spa: L = 55" (139 cm ) x 25 1/2" x W = ( 64,5 cm ) Height: 56" ( 142 cm ) Fully reclined: 73 1/4" ( 186 cm )	180 lbs
<b>Mani Stool</b>	Height adjustment for manicure stool = 12" ( 30.5 cm ) to 13" ( 33 cm )	25 lbs
<b>Pedi Stool</b>	Height adjustment for pedi stool = 15 1/2" ( 39 cm ) to 19 1/2" ( 49,5 cm )	25lbs

## SPA SPECIFICATIONS

Spa Water Capacity	~ 5 US Gallon
Jet Motor	120 VAC. at 45W 60Hz
Massage Motors, Seat Sliding & Reclining	24VDC, 135W
Discharge Pump	Motor – 120V at 85W 60 Hz Maximum flow rate 600 GPH @ floor level
Power source	115 VAC, 60HZ, Power needed per spa chair = 6 Amp
Electrical Switches	AutoFill™ Model: One (1) electro-mechanical knob for the Whirlpool. Rated at 5A contact. One (1) electro-mechanical knob for the Drain. Rated at 5A contact. AutoClean™ Model : Digital Automate Control Electronic Panel
Plug & Play Installation	Installation should be made with connection at the external interface parts. Please consult with your local plumber.

Rear of Spa must be 18" away from wall to prevent damage to spa when back rest reclined

## **PLUMBING HOOK-UP NOTIFICATION:**

Plumbing Connections:



**Warning**

Before any connection, pay attention to these subjects:

1. Debris or residue may become lodged into the Hot and Cold hoses during construction, which may clog the Hot and Cold Mixer. To clean, drain a good amount of water from water hoses to bucket before connecting them to the pedicure spa. Failure to do so may void your Warranty.
2. Hooking up a used Hot/Cold flex hose is not recommended since debris from broken rubber seal might clog water mixer. Failure to do so may void your Warranty.
3. Backflow preventer: Due to differences in construction lay-out of your Salon and City's plumbing code, please contact your local Plumber to fulfill your needs as required. Backflow Preventers are not supplied by the pedicure spa manufacturer.
4. Check valve is an optional part and supplied free of charge for your convenience. Factory is not liable for this Check valve.
5. Maximum Inlet water pressure must be under 75 PSI.

## HOT AND COLD WATER SUPPLY LINES

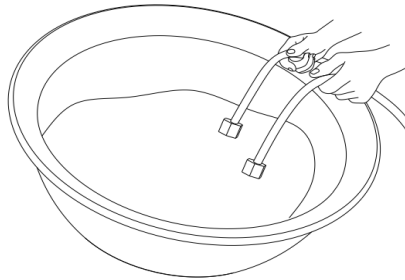
Carefully connect 1/2" ID supply hoses (not provided) to fresh water sources. Shut-off valves (not provided) should be utilized. Valves should be placed outside the tub for easy access.

Before water line connections, please follow below:

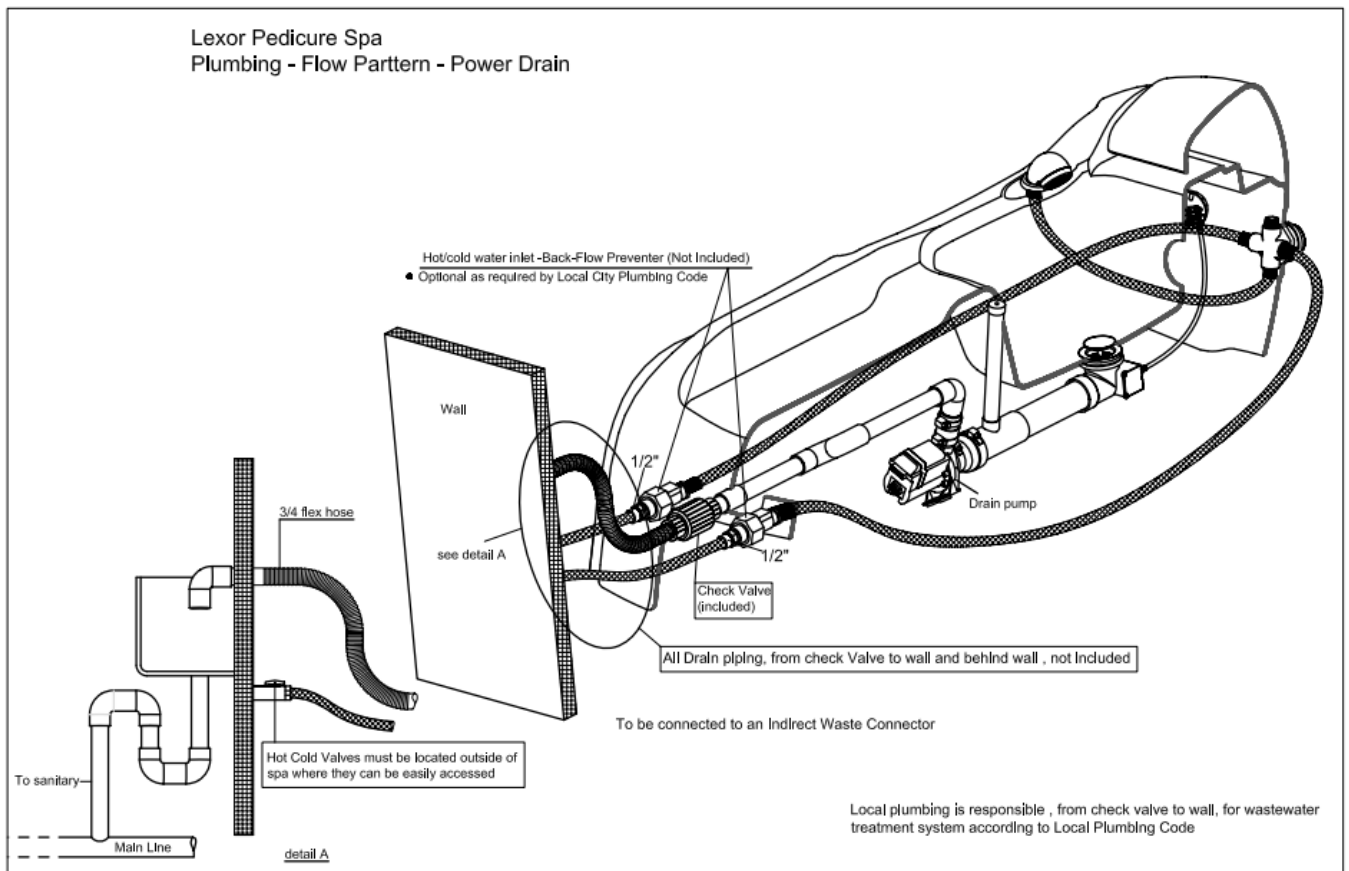
- Do not use Teflon (white-plumbing-tape) at 1/2" hot/cold connector water inlet. Hand turn the inlet hoses to connectors and add 1/2 turn with wrench

Determine if your spa chair is used for a new construction of a salon or a replacement spa chair.

1. *New construction:* Make sure to remove any and all debris and/or dust from current hot cold water pipes before hooking up to spa. Suggested direction to remove debris: turn on water and drain into a bucket or container. See illustration below:



2. *Replacement Spa:* Always use new hot/cold water hoses when connecting a new spa chair to prevent debris, such as old rubber particles, from clogging drain and potential of leaking

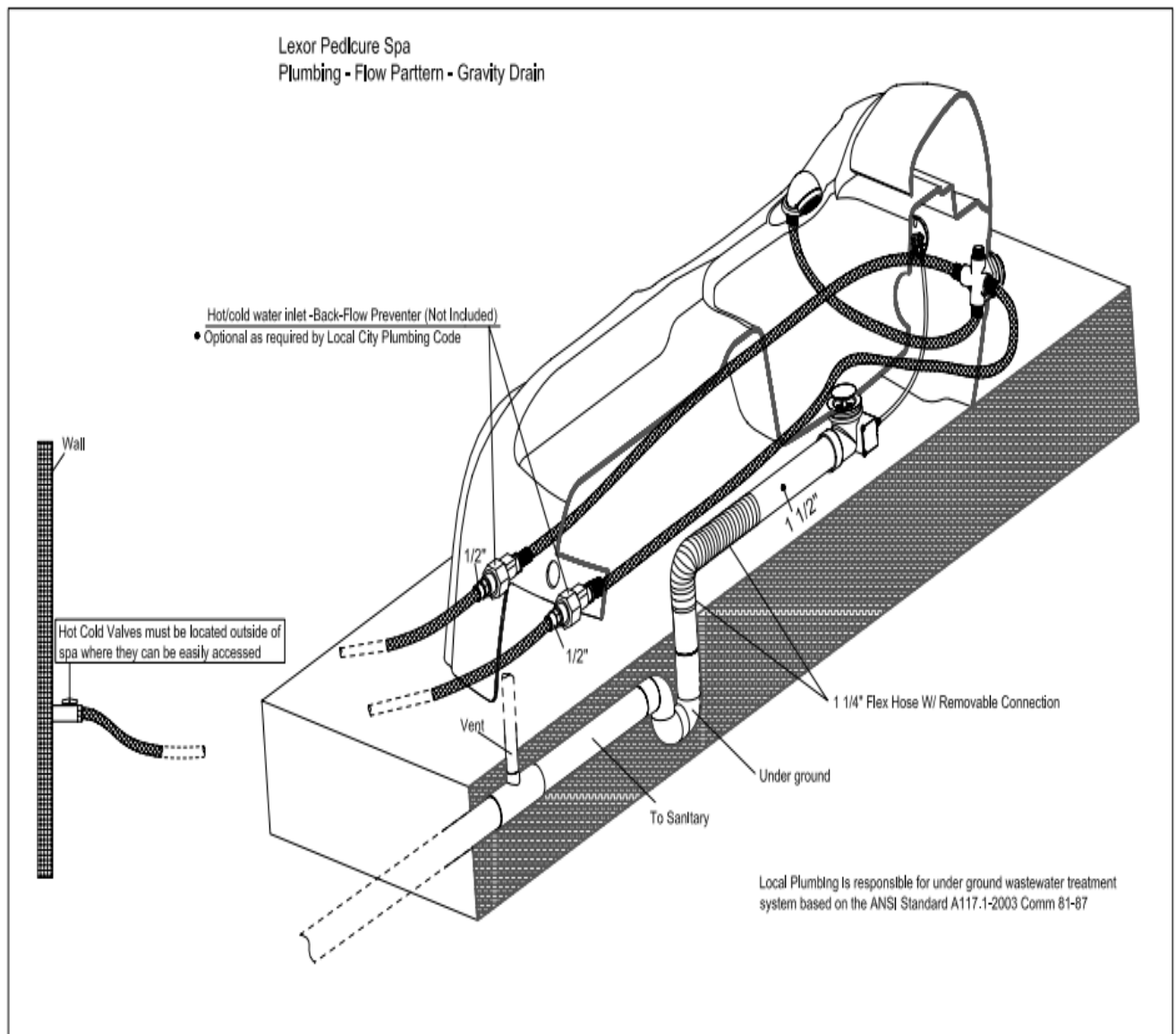


## GRAVITY DRAIN SYSTEM RECOMMENDATION (NO DRAIN PUMP):

### CONNECTING DRAIN WITH GRAVITY DRAIN

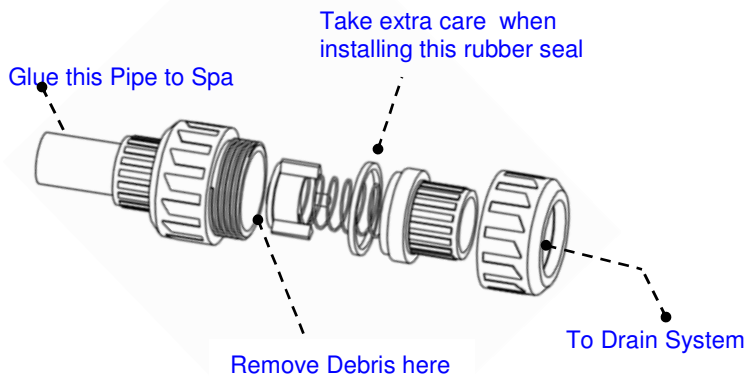
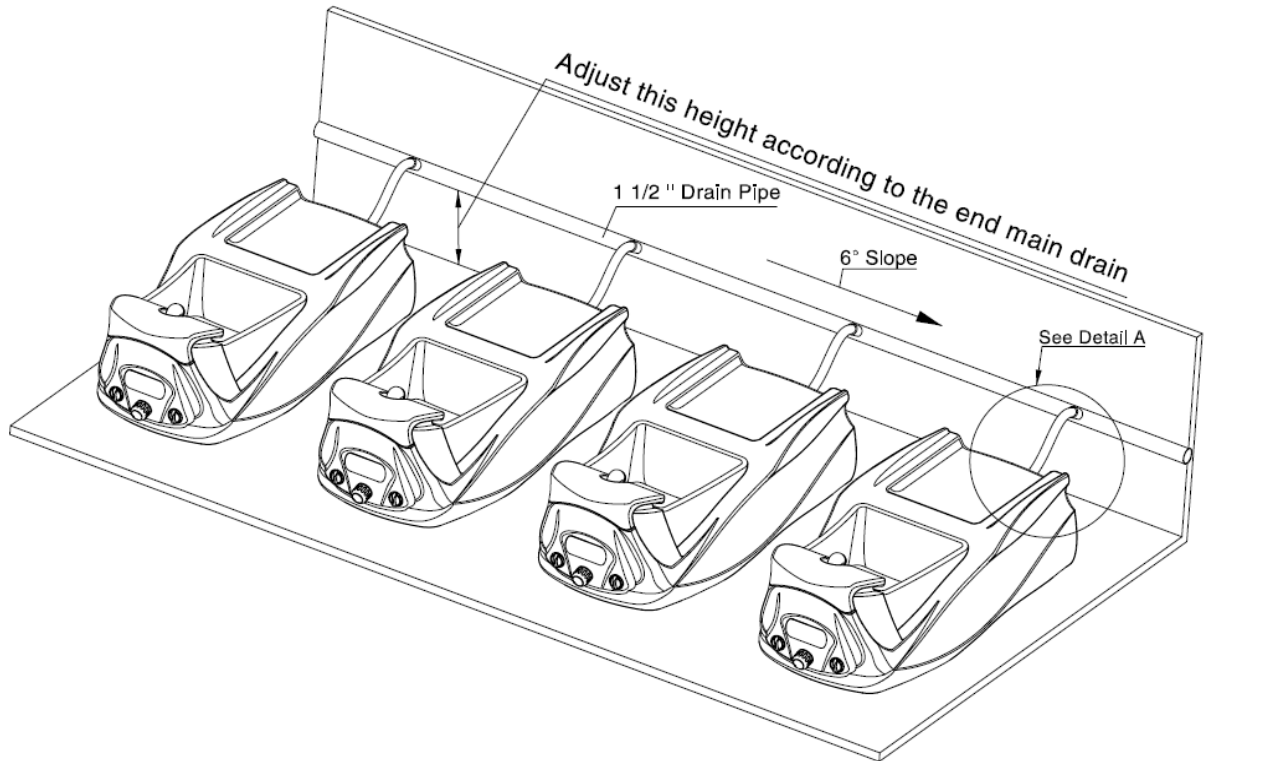
Using Flexible hose 1 1/4" (supplied) and appropriate traps. Connect drain to meet local plumbing codes. Rubber connection to the drain should be removable for easy service and should not be permanent to prevent damages

### Plumbing Flow Pattern for Gravity Drain:



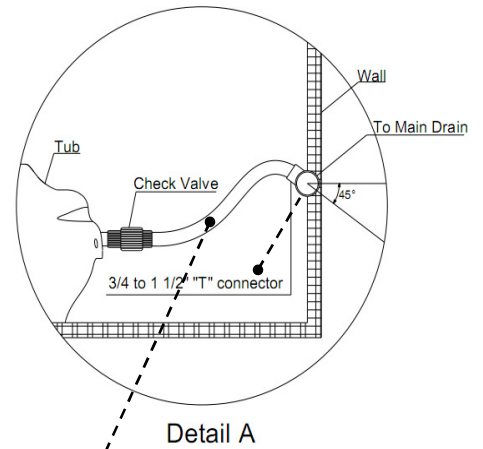
## POWER DRAIN SYSTEM RECOMMENDATION:

### Drain System Recommendation



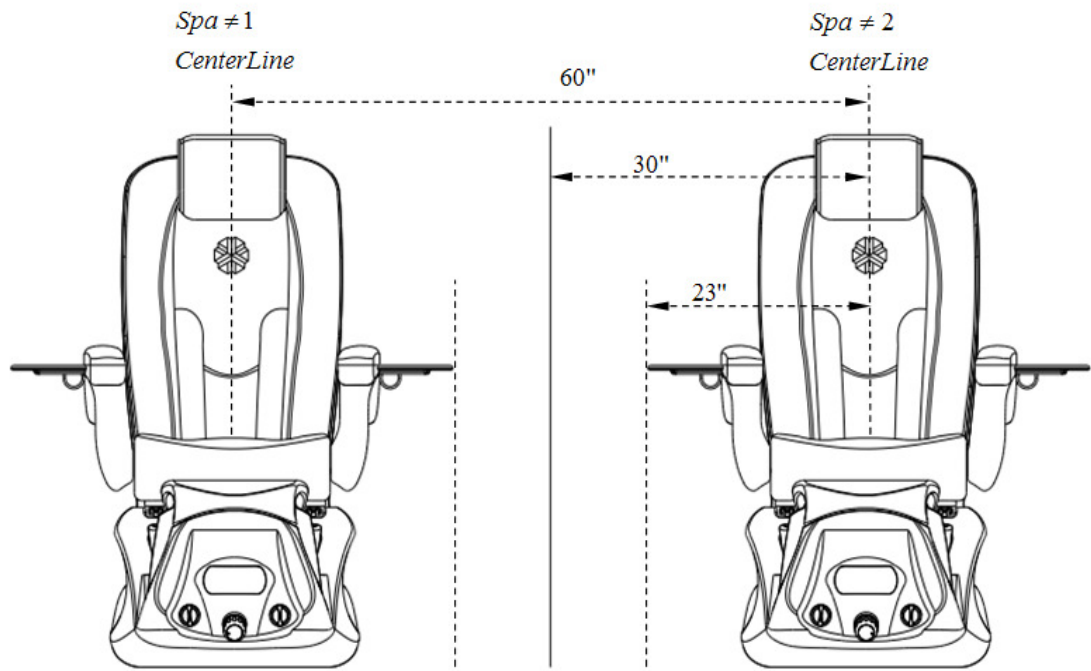
**Fig.6**

- > Check valve Fig.6 is an optional part and supplied free of charge for your convenience. Factory is not liable for this Check valve.
- > Open Check Valve for cleaning and lifting spa for service as needed

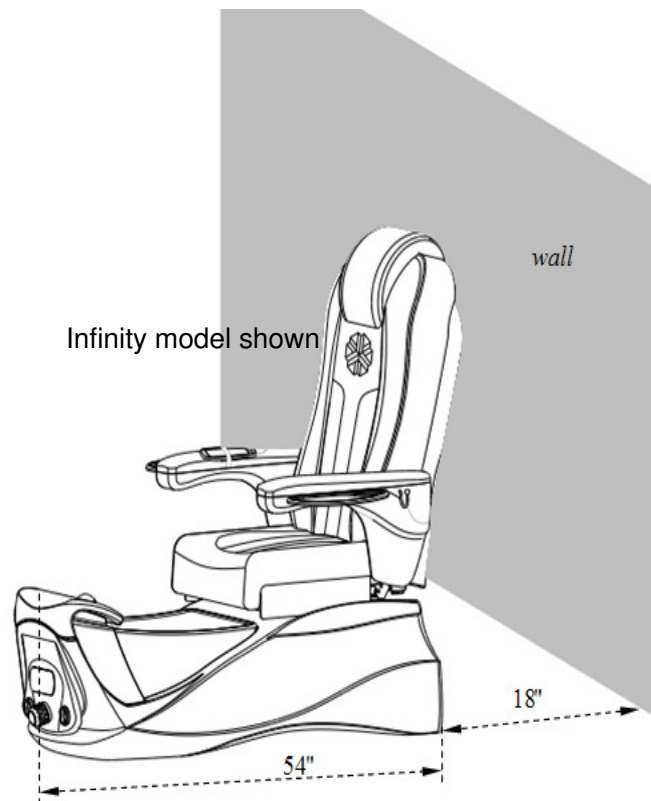


Flexible hose is recommended.  
**Do not use hose with groove on it which will cause leaking**

**SPA to SPA CLEARANCE RECOMMENDATION:**

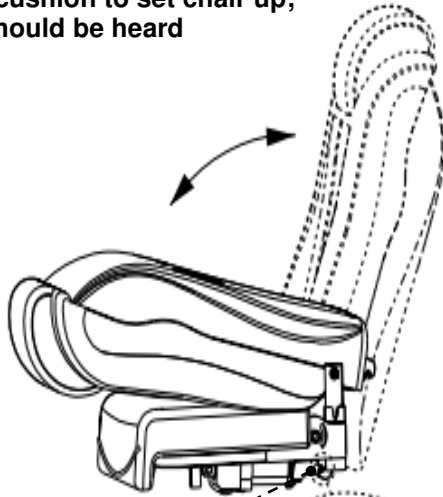


NOTE: The arm-rest with tray can be swing up/down. Therefore the dimension between Spas can be narrower

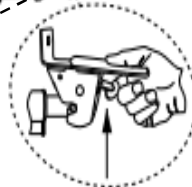


## BACK MASSAGE SYSTEM

Raise back cushion to set chair up;  
“click” should be heard

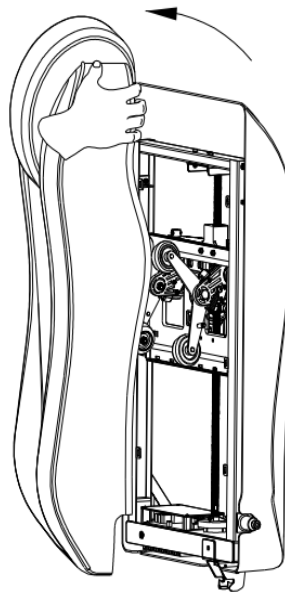


Lock must be latched before  
operating. Manually adjust actuator  
to engage locking device if needed

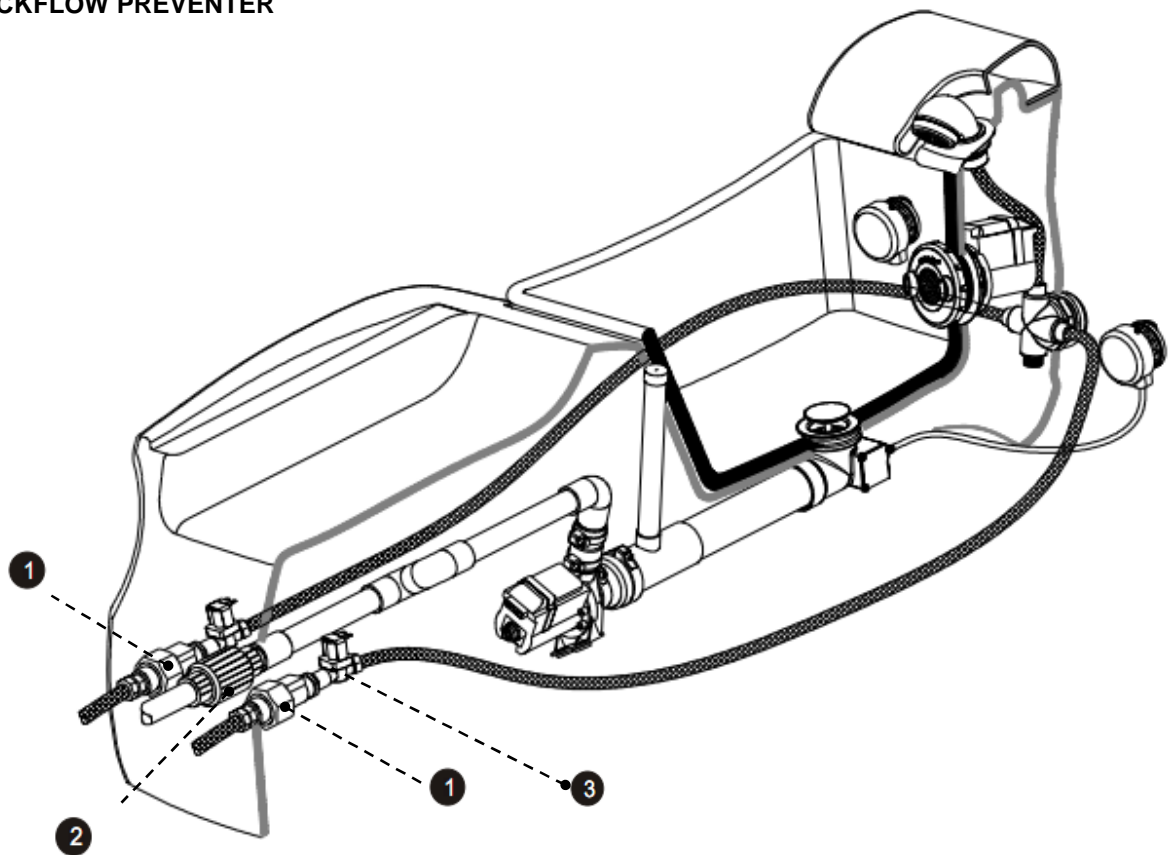


Lift latch to fold chair back down

Open for lubrication every 6 months  
Lithium Grease (slow dry) is recommended



## BACKFLOW PREVENTER



- ❶ **BACKFLOW PREVENTER:** Due to differences in construction lay out of your Salon and City's plumbing code, please contact your local Plumber to fulfill your needs as required. Backflow preventers are not supplied by the pedicure spa manufacturer. Below is a Backflow complied with ASSE1024
- ❷ **Check Valve:** Used to block the wasted water go back to Spa
- ❸ **Solenoids:** Use to turn on/off water to Spa



**BACKFLOW PREVENTER:** Due to differences in construction lay out of your Salon and City's plumbing code, please contact your local Plumber to fulfill your needs as required. Backflow preventers are not supplied by the pedicure spa manufacturer. Below is a Backflow complied with ASSE1024



## MODEL DUC4N DUAL CHECK VALVE 4N-300 SERIES

Job Name:	Contractor:
Job Location:	P.O. Number:
Engineer:	Representative:
Tag:	Wholesale Distributor:

### DESCRIPTION

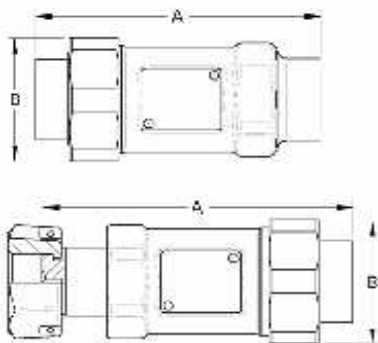
The Apollo® Model DUC4N (4N-300 Series) Dual Check Valve prevents backflow by either backpressure or back-siphonage from a cross-connection between potable water lines and substances that are objectionable, but not health hazards.

### FEATURES

- Low pressure loss
- Corrosion resistant
- Replaceable check modules
- Available in standard and swivel connections
- Available in rough chrome finish (3/8" size only)
- MADE IN THE USA

### MATERIAL SPECIFICATIONS

Part Name	Material
Body	Cast Bronze C84400
Union tailpiece	Brass
Union nut	Brass
Check Modules	Glass-Filled Noryl® (3/8"-1/2") Acetal (3/4"-1")
Springs	Stainless Steel
Seat Discs	Buna-N



### DIMENSIONS (in.)

Size	A	B	Wt. (lbs.)
3/8" & 1/2"	3.32	1.88	.70
5/8"	4.38	2.00	1.40
3/4" Meter Swivel	4.75	2.00	1.60
1"	4.38	2.00	1.40
1" Meter Swivel	4.75	2.00	1.75



### APPROVALS

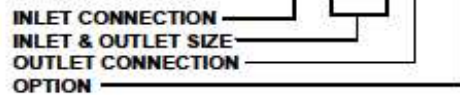
ASSE® 1024 and CSA® B64.6

### PERFORMANCE RATING

Maximum Operating Pressure 175 psi  
Temperature Range 33 °F – 180 °F

### ORDERING INFORMATION

4 N - 3 X X - X X - X



### INLET CONNECTION<sup>1,3</sup>

- |   |  |
|---|--|
| <input type="checkbox"/> A - FNPT           | <input type="checkbox"/> E - Male Meter Thd    |
| <input type="checkbox"/> B - MNPT           | <input type="checkbox"/> S - Female Mtr Swivel |
| <input type="checkbox"/> C - Female Mtr Thd | <input type="checkbox"/> 2 - Female BSPP       |

### SIZE<sup>2</sup>

- |                                   |                                   |                                     |
|-----------------------------------|-----------------------------------|-------------------------------------|
| <input type="checkbox"/> 2 - 3/8" | <input type="checkbox"/> 4 - 3/4" | <input type="checkbox"/> 6 - 1 1/4" |
| <input type="checkbox"/> 3 - 1/2" | <input type="checkbox"/> 5 - 1"   |                                     |

### OUTLET CONNECTION<sup>1,3</sup>

- |   |   |
|---|---|
| <input type="checkbox"/> A - FNPT           | <input type="checkbox"/> E - Male Meter Thd |
| <input type="checkbox"/> B - MNPT           | <input type="checkbox"/> F - Female BSPP    |
| <input type="checkbox"/> C - Female Mtr Thd |   |

### OPTION

- C - Rough chrome plated (3/8" size only)

Example: 4N-3S5-4A = 1" female meter swivel inlet (for connection to a 3/4" water meter) x 3/4" FNPT outlet.

### Notes:

<sup>1</sup>For meter threads, order one size larger than meter size.

<sup>2</sup>Size 6 - 1 1/4" is only available for the Female Mtr Swivel Connection.

<sup>3</sup>Not all inlet and outlet combinations are available. Please contact Contraco Customer Service for availability.

Contraco Industries, Inc. 701 Mathews Mint Hill Rd. Mathews NC 28105 USA; [www.apollovalves.com](http://www.apollovalves.com); 704-841-6000

This specification is provided for reference only. Contraco reserves the right to change any portion of this specification without notice and without incurring obligation to make such changes to Contraco products previously or subsequently sold.